

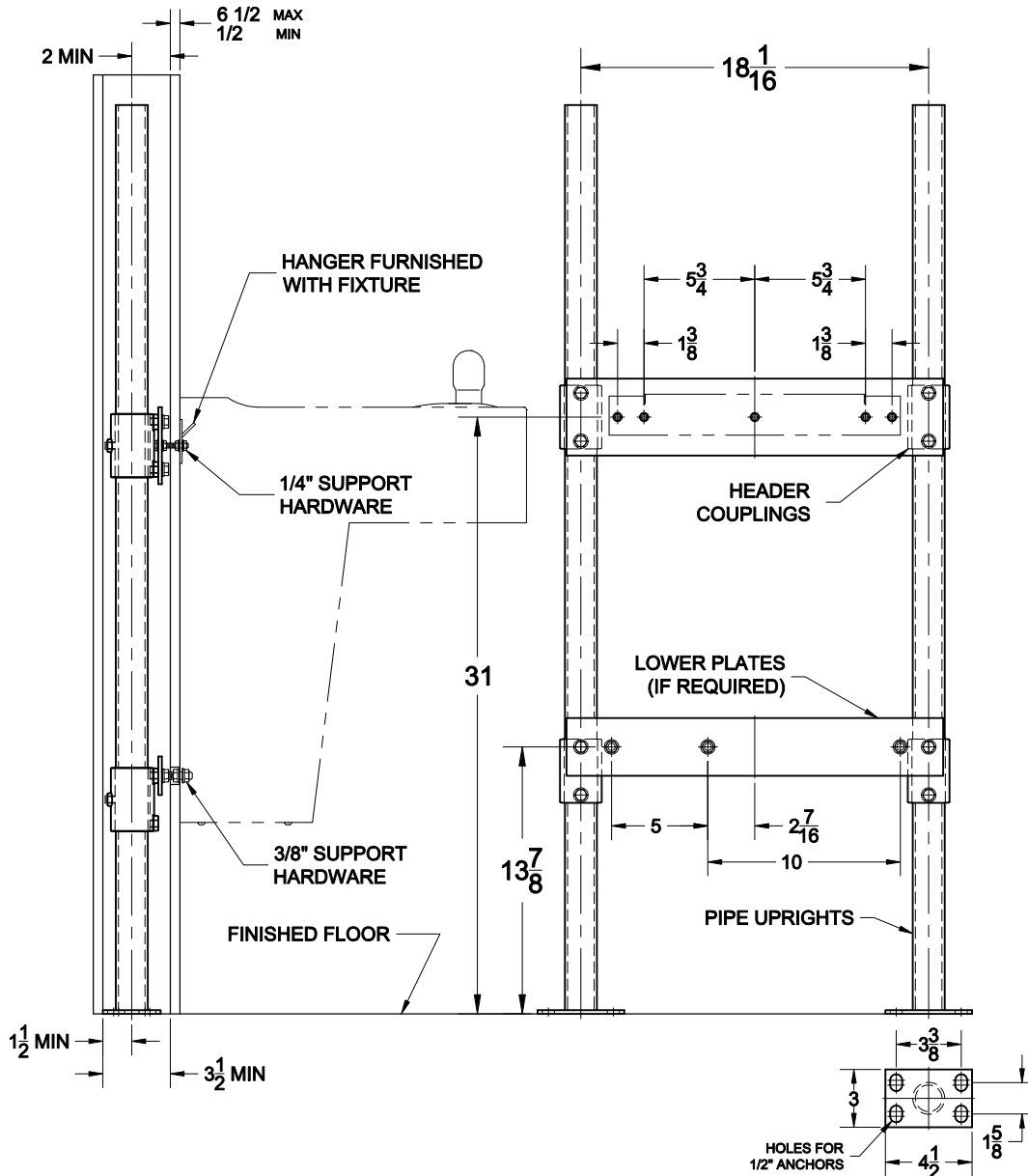
# WATER COOLER CARRIER



420-AM11

HANGER PLATE CARRIER WITH TWO PIPE UPRIGHTS, WELDED BASE FEET, UPPER HANGER SUPPORT PLATES WITH HARDWARE, CAST IRON HEADER COUPLINGS, AND LOWER PLATES WITH HARDWARE

HALSEY TAYLOR	
HVR8 ADA	HVR-L/R ADA
HAC8FS-Q ADA	HACFS-L/R ADA
HAC8FS-WF-Q ADA	HAC8EE-Q ADA
HVRGRN8	



NOTE: The rough-in dimensions listed on this drawing are based on current information available to Wade by the fixture manufacturers. Wade recommends that the installer verify these dimensions with the fixture manufacturer. Wade will not accept responsibility for rough-in dimension changes by the fixture manufacturer.

## OPTIONS

Suffix	Description
<input type="checkbox"/> M36	RECTANGULAR STEEL UPRIGHTS

AutoCad.dwg

7-9-08

Tyler Pipe / Wade Division \* P.O. Box 2027 \* Tyler, TX 75710-2027 \* (903)882-5511 \* FAX (888)879-9233

A-496-U9