

Drinking Fountain Carrier



420-AM11-M60

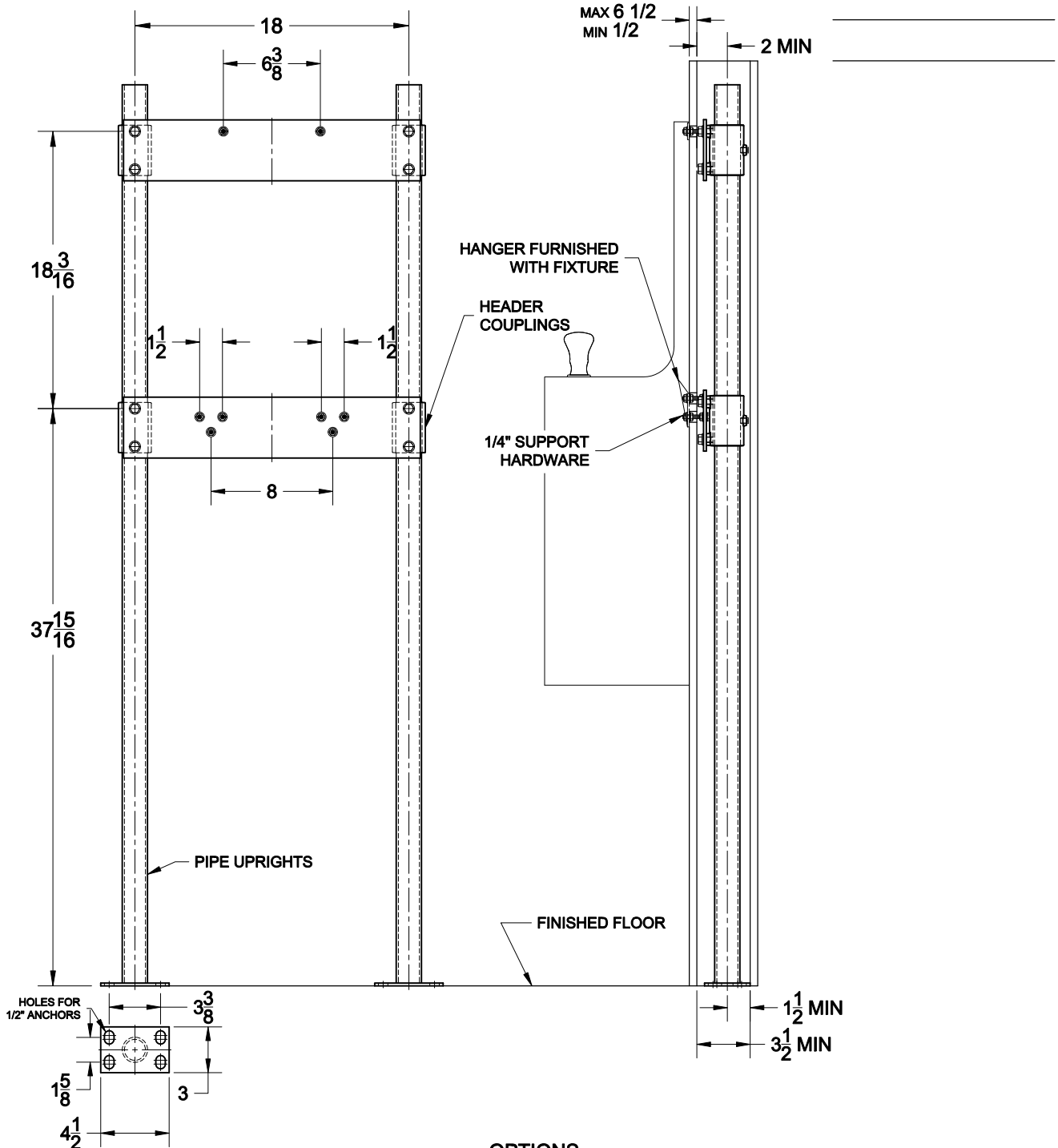
Hanger plate carrier with pipe uprights, welded base feet and hanger support hardware

FIXTURE

Manufacturer Halsey Taylor

Name Barrier Free No. HBW8A-Q

Style Water Cooler HBW-L/R



OPTIONS

Cat. No.	Type	Wt. Lbs.	Suffix	Description
<input type="checkbox"/> 420-AM11-M60	Single	35.0	<input type="checkbox"/> M36	Rectangular Steel Uprights
			<input type="checkbox"/>	

AutoCad.dwg