

Drinking Fountain Carrier



420-AM11-M72

Hanger plate carrier with pipe uprights, welded base feet and hanger suport hardware

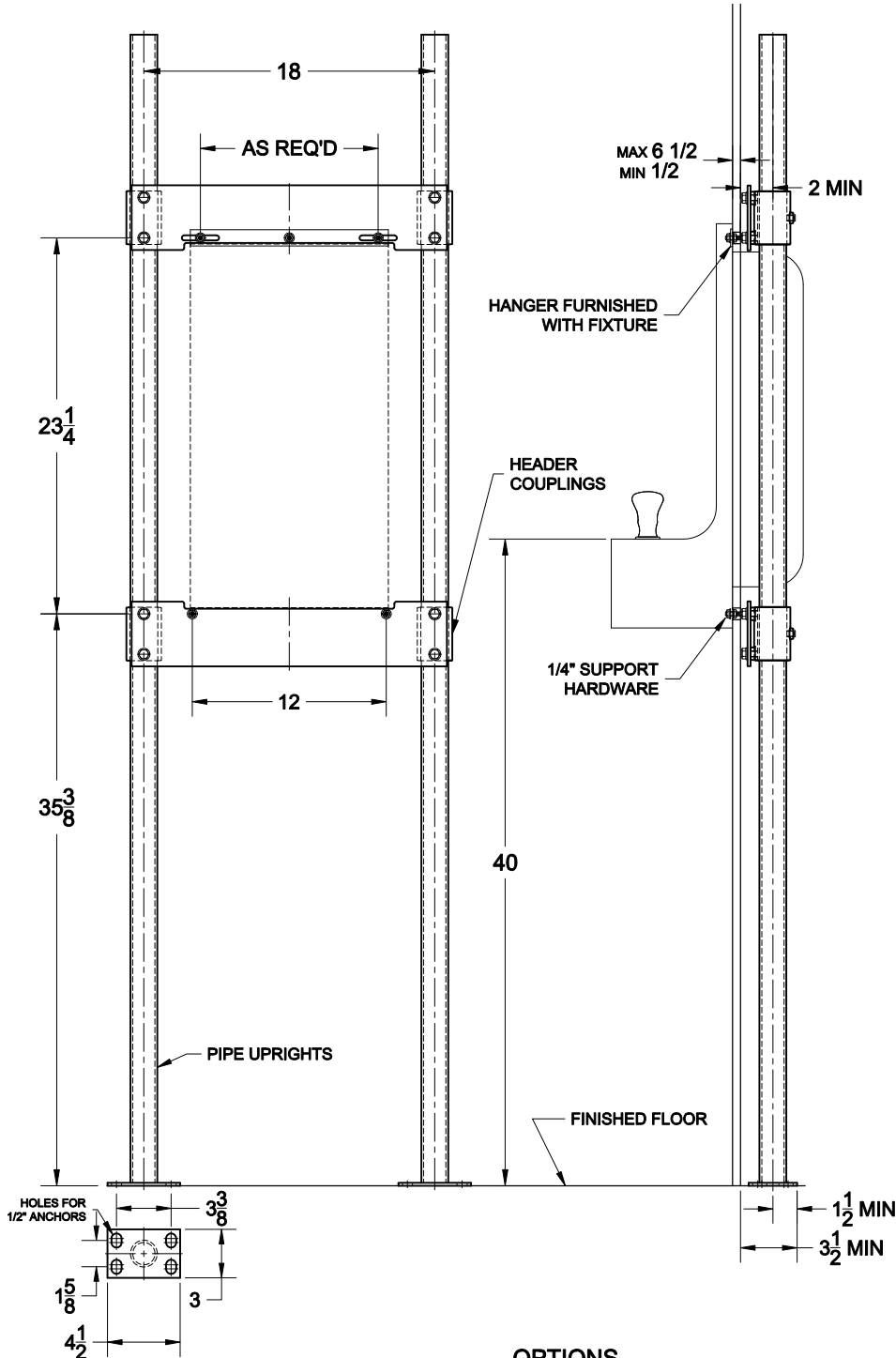
FIXTURE

Manufacturer Halsey Taylor

Name Barrier Free No. 5801

Style Water Cooler 5801VR

5801C



OPTIONS

Cat. No.	Type	Wt. Lbs.	Suffix	Description
<input type="checkbox"/> 420-AM11-M72	Single	35.0	<input type="checkbox"/> M36	Rectangular Steel Uprights
			<input type="checkbox"/>	

AutoCad.dwg