

Drinking Fountain Carrier



420-AM11-M29

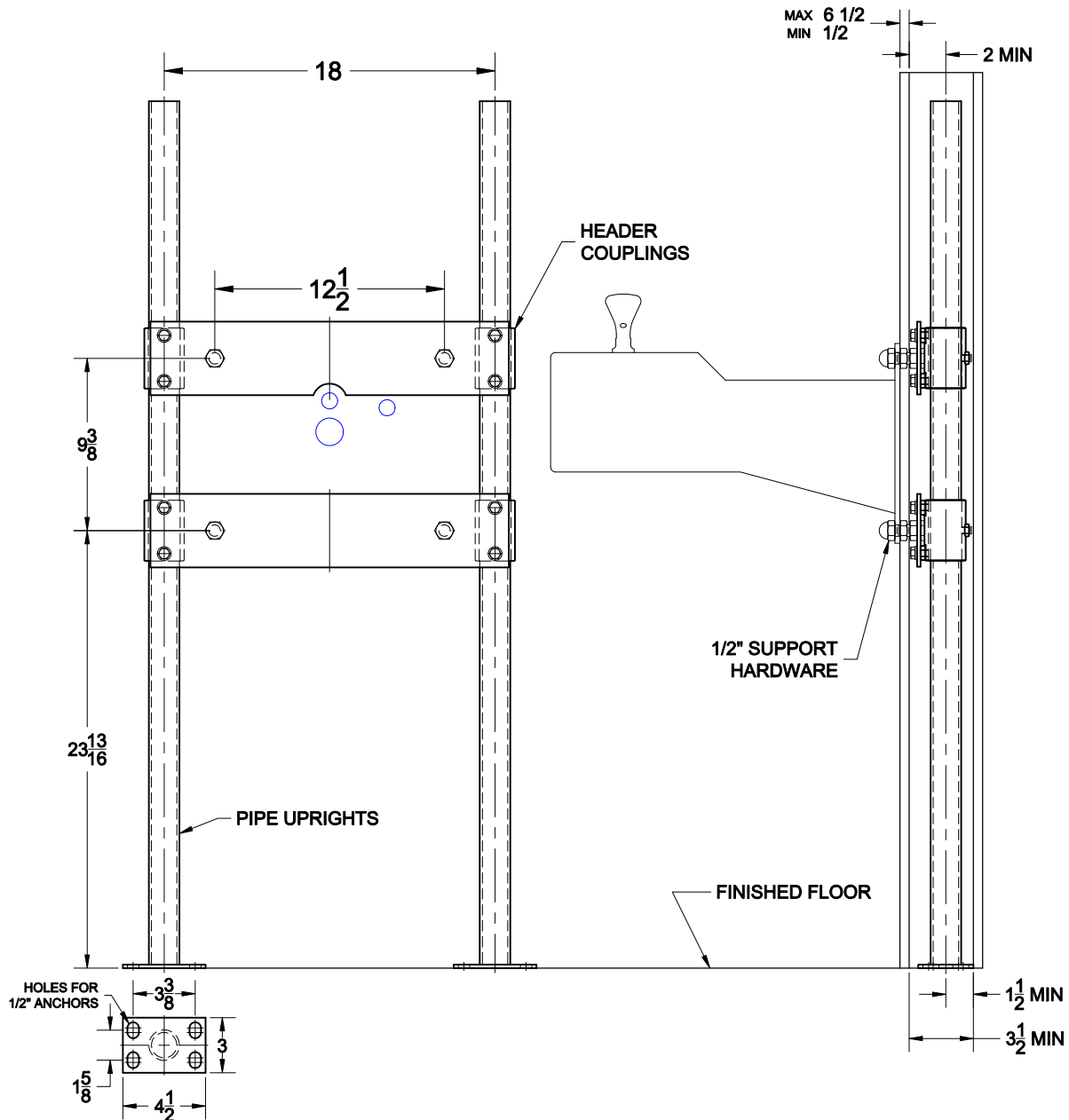
Hanger plate carrier with pipe uprights, welded base feet and fixture support hardware.

FIXTURE

Manufacturer Halsey Taylor

Name Endura II No. 4705

Style Fountain 4705 FR



OPTIONS

Cat. No.	Type	Wt. Lbs.
<input type="checkbox"/> 420-AM11-M29	Single	40.0

Suffix	Description
<input type="checkbox"/> M36	Rectangular Steel Uprights
<input type="checkbox"/>	

AutoCad.dwg