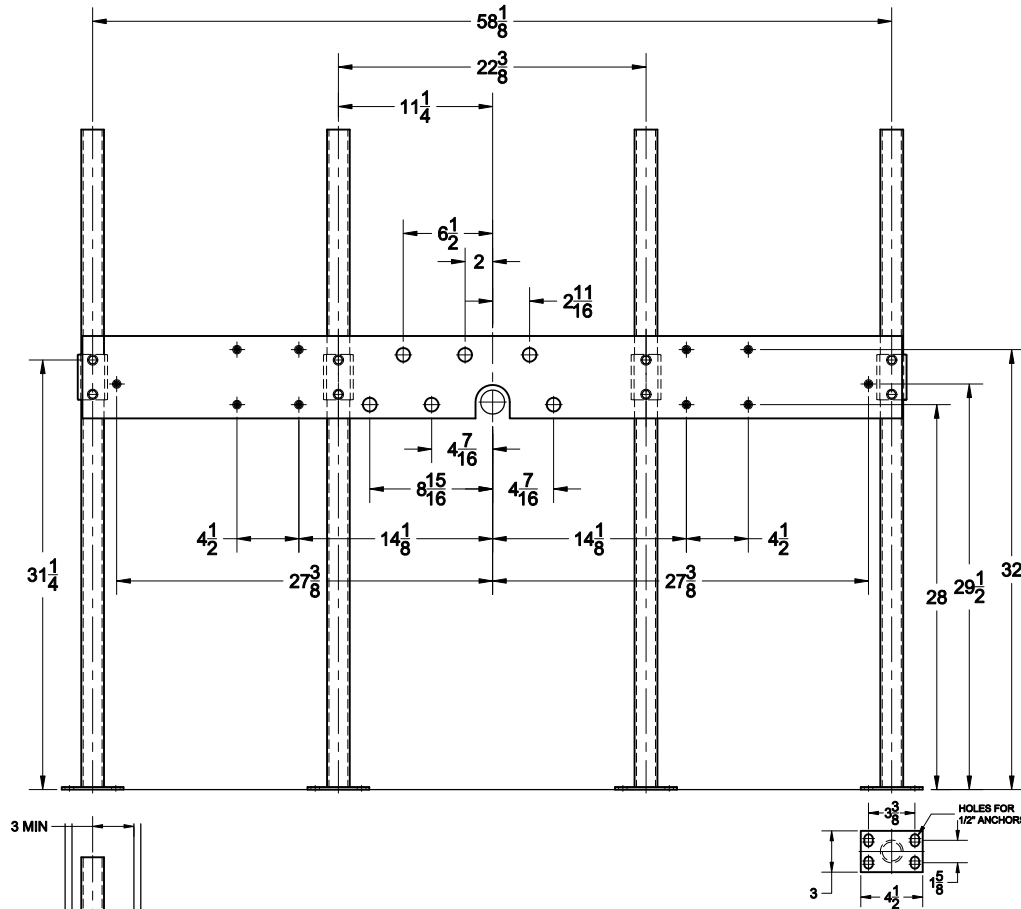


Scrub Sink Carrier



634

Floor mount carrier with pipe uprights, welded base feet, fixture support and hanger support hardware.



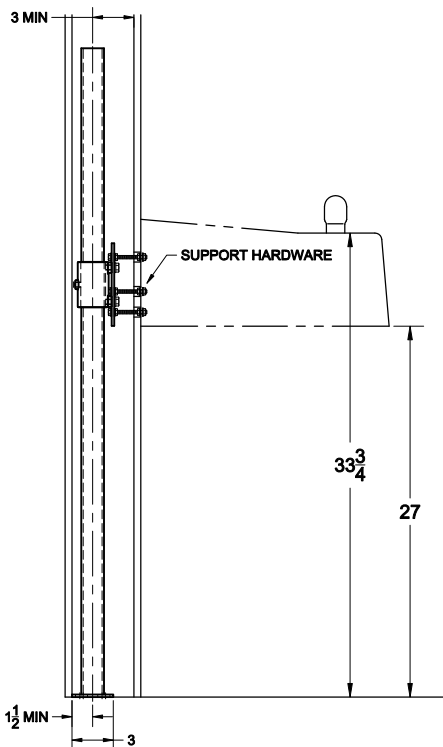
FIXTURE

Manufacturer Halsey Taylor

Name Marblyte No. 7130

Style Drinking Fountain 7130 FR

NOTE: ALL DIMENSIONS FOR THIS CARRIER MUST BE VERIFIED WITH THE FIXTURE MANUFACTURER - SLOAN DOES NOT PROVIDE HANGER LOCATIONS. WADE DIVISION / TYLER PIPE DOES NOT ACCEPT ANY RESPONSIBILITY FOR INACCURACIES IN THIS DRAWING.



OPTIONS

Cat. No.	Type	Wt. Lbs.	Suffix	Description
<input type="checkbox"/> 634	Single	106.0	<input type="checkbox"/> M36	SQUARE STEEL UPRIGHTS

AutoCad.dwg