

Drinking Fountain Carrier



420-AM11-M60

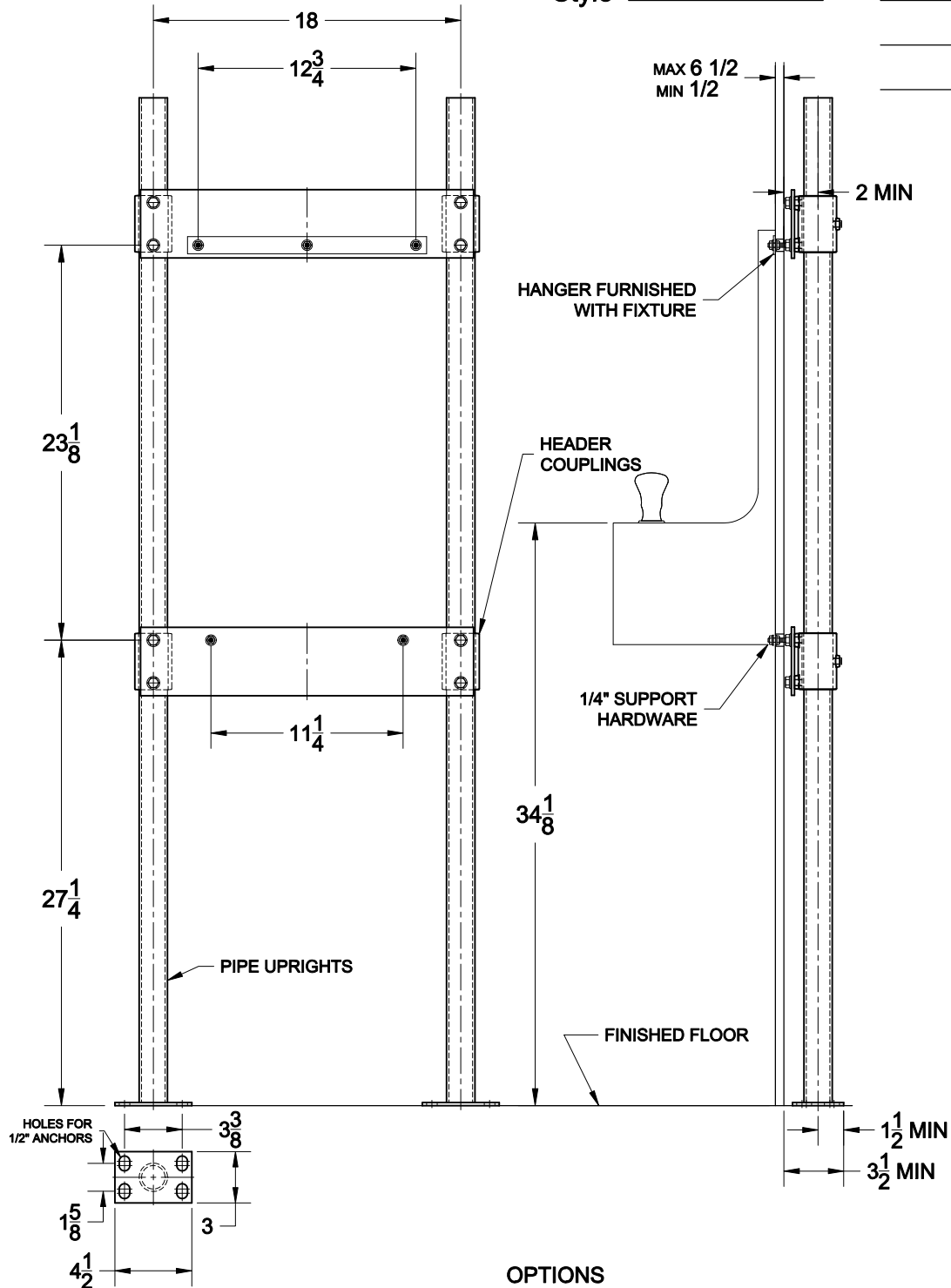
Hanger plate carrier with pipe uprights, welded base feet and hanger support hardware

FIXTURE

Manufacturer Halsey Taylor

Name Wall Mounted No. 5701

Style Water Cooler



OPTIONS

Cat. No.	Type	Wt. Lbs.	Suffix	Description
<input type="checkbox"/> 420-AM11-M60	Single	35.0	<input type="checkbox"/> M36	Rectangular Steel Uprights
			<input type="checkbox"/>	

AutoCad.dwg