

URINAL CARRIER



Approval Date

Customer Approval

Job Location

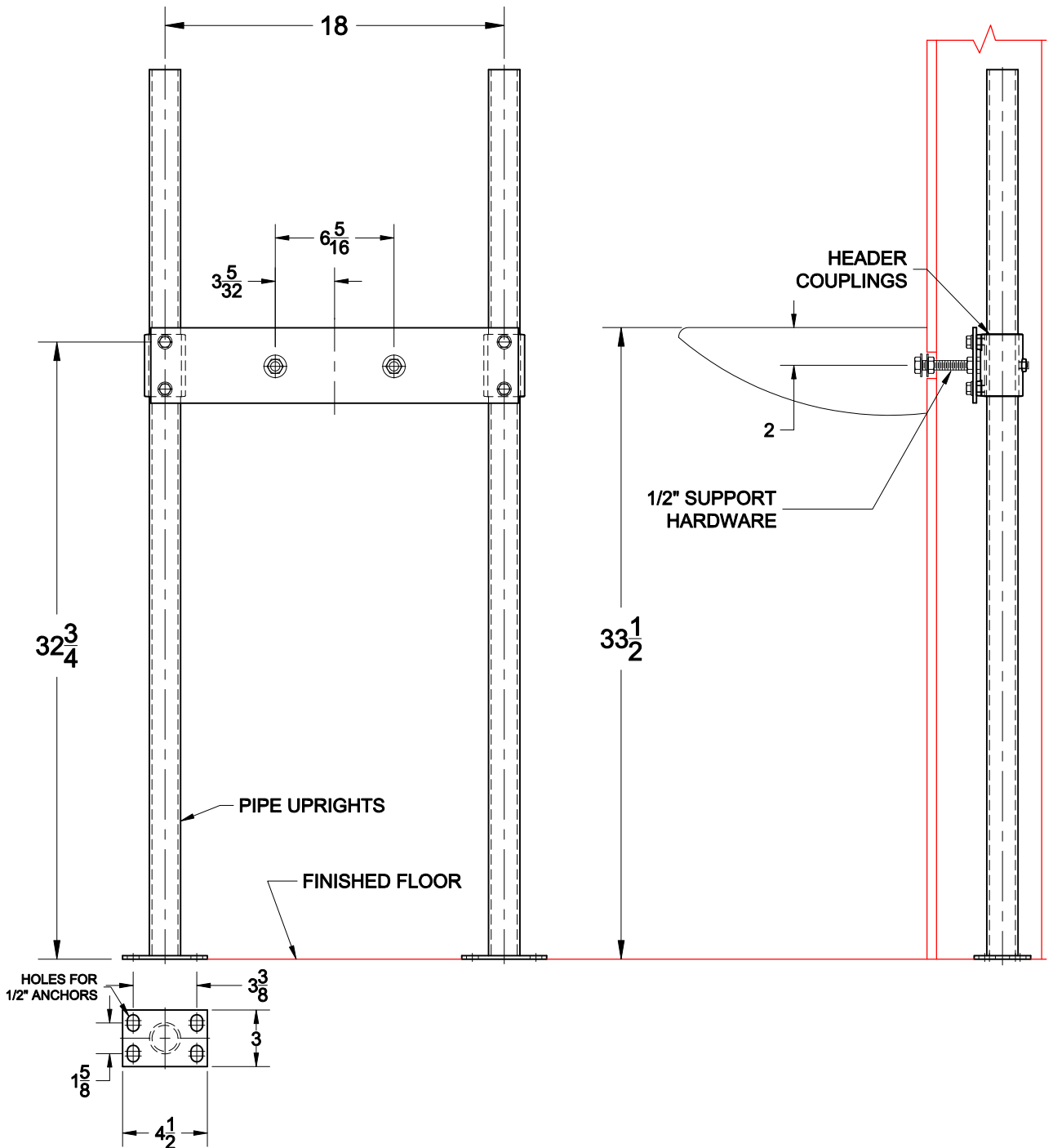
Job Name

Dimensional Data (Inches/mm) are Subject to Manufacturers Tolerance and Change Without Notice. Wade Division / Tyler Pipe Assumes No Responsibility For Superseded or Voided Data

420-M29

HANGER PLATE CARRIER WITH SCH.40 PIPE UPRIGHTS, WELDED BASE BASE FEET AND SUPPORT HARDWARE.

Duravit 079735



OPTIONS

| Suffix | Description |
|--------|----------------------------|
| M36 | RECTANGULAR STEEL UPRIGHTS |

AutoCad.dwg