

LAVATORY CARRIER



Approval Date

Customer Approval

Job Location

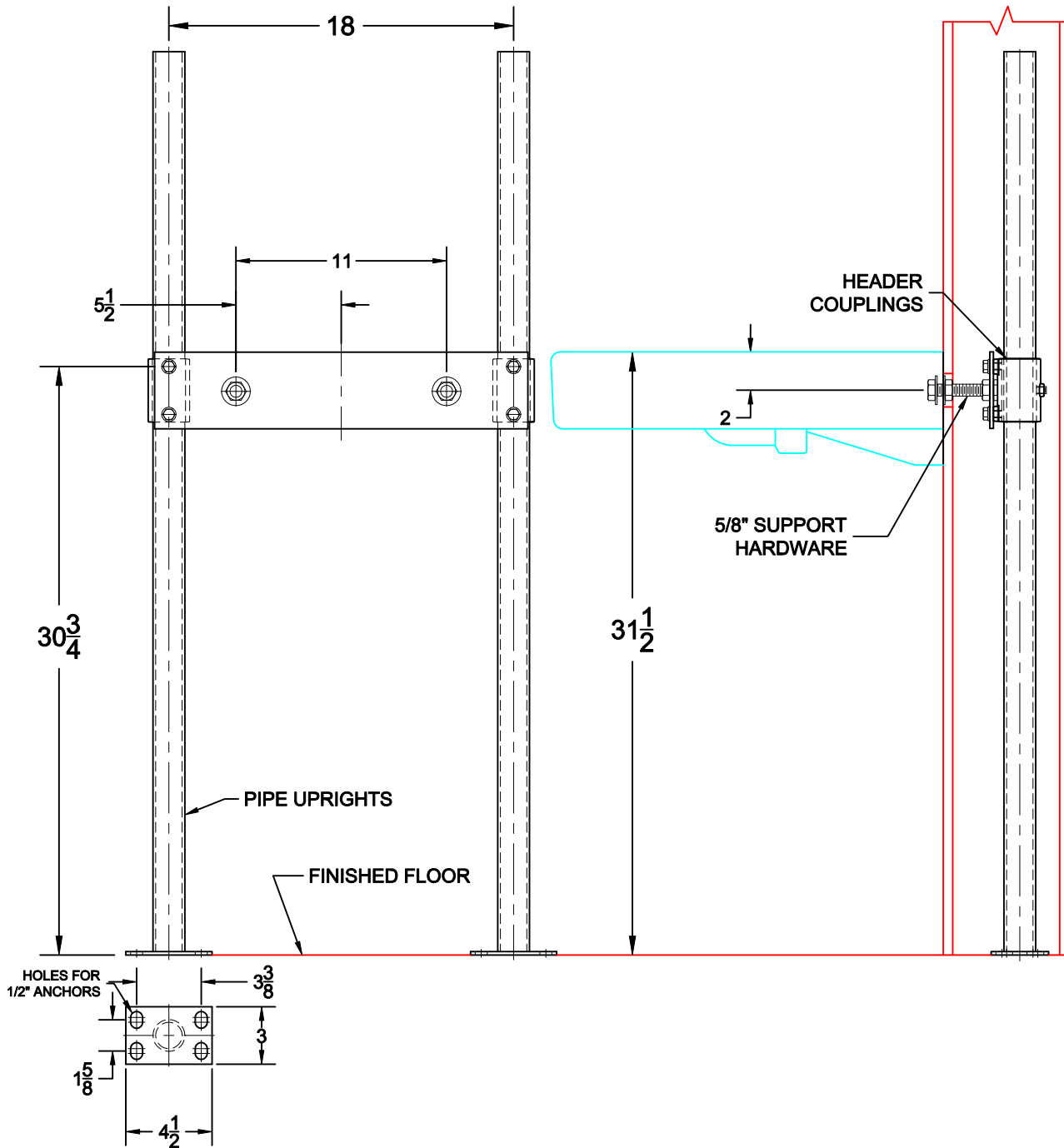
Job Name

Dimensional Data (inches/mm) are Subject to Manufacturers Tolerance and Change Without Notice. Wade Division / Tyler Pipe Assumes No Responsibility For Superseded or Voided Data

420-M29

HANGER PLATE CARRIER WITH SCH.40 PIPE UPRIGHTS, WELDED BASE FEET AND SUPPORT HARDWARE.

Duravit 044358
045450



OPTIONS

Suffix	Description
M36	RECTANGULAR STEEL UPRIGHTS

AutoCad.dwg