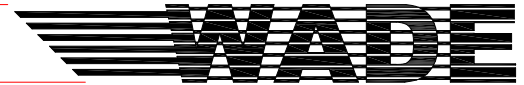


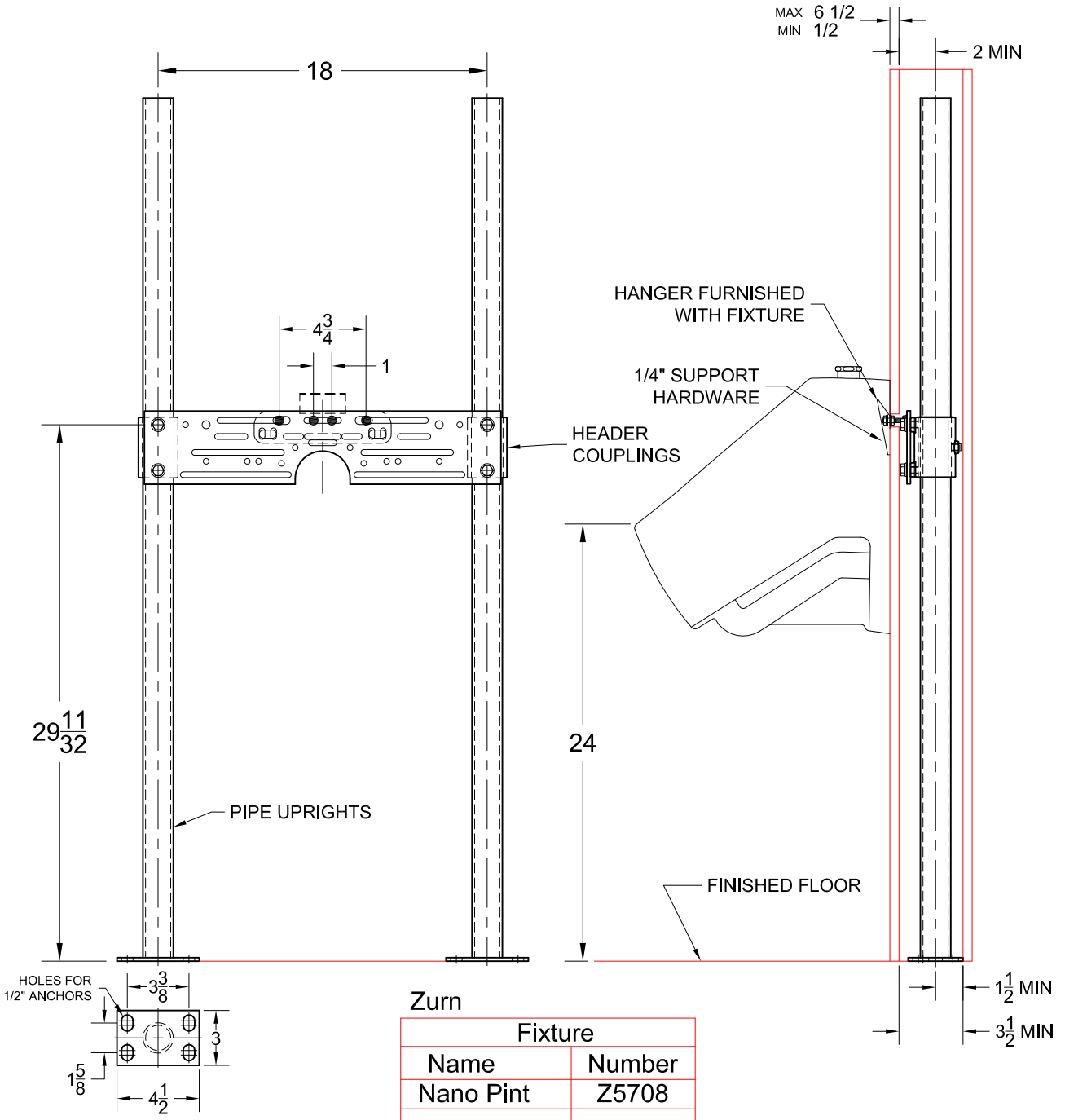
URINAL CARRIER



Job Name: Dimensional Data (Inches/mm) are Subject to Manufacturers Tolerance and Change Without Notice.
 Job Location: Wade Division / Tyler Pipe Assumes No Responsibility For Superseded or Voided Data
 Customer Approval: Approval Date

401

UNIVERSAL HANGER PLATE CARRIER WITH
SCH.40 PIPE UPRIGHTS, WELDED BASE
FEET AND SUPPORT HARDWARE



Zurn

Fixture	
Name	Number
Nano Pint	Z5708

OPTIONS

Suffix	Description
□ M36	RECTANGULAR STEEL UPRIGHTS

AutoCad.dwg