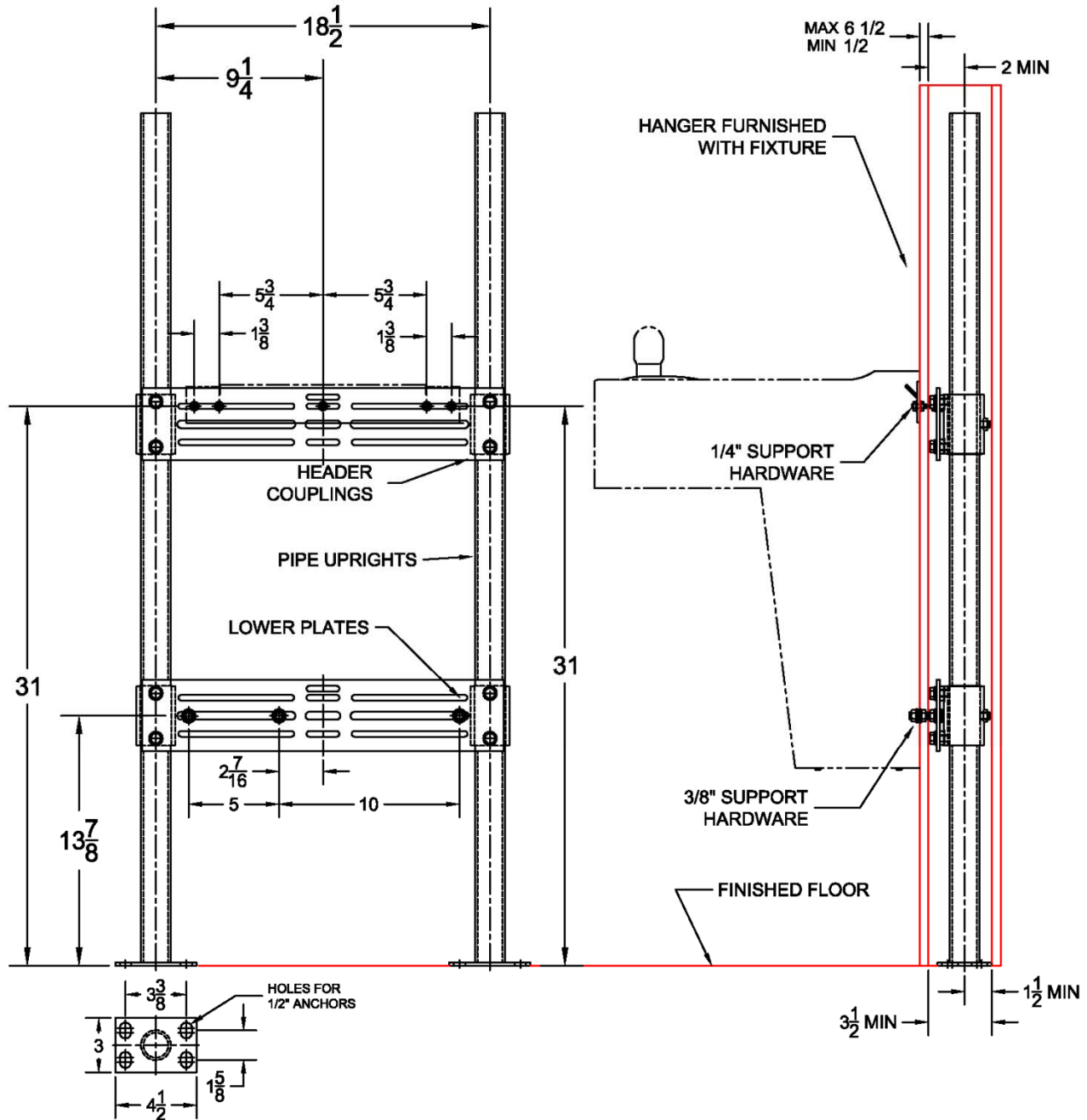


403 Water Cooler Carrier (Support Plate Style)

Regularly Furnished: Single water cooler fixture support with painted cast iron header couplings, tubular steel uprights, 7 gauge support plates, zinc plated support hardware and welded base feet.
 ASME Type I Water Cooler Carrier Load Rating = 200 Lb.

Elkay LMAB Series
 Halsey Taylor HAC Series
 Halsey Taylor HVRGRN Series



Model	UPC	Upright	Plate Package			Support Kit			Uprights		
			Qty	Part No.	UPC	Qty	Part No.	UPC	Qty	Part No.	UPC
403	411211	Round	2	WP449-U11A	401449	2	WP400-2R	544180	2	PU-1F	227434
403-M36	411213	Square	2	WP449-U11A	401449	2	WP400-2S	544081	2	PU-22-47	406419