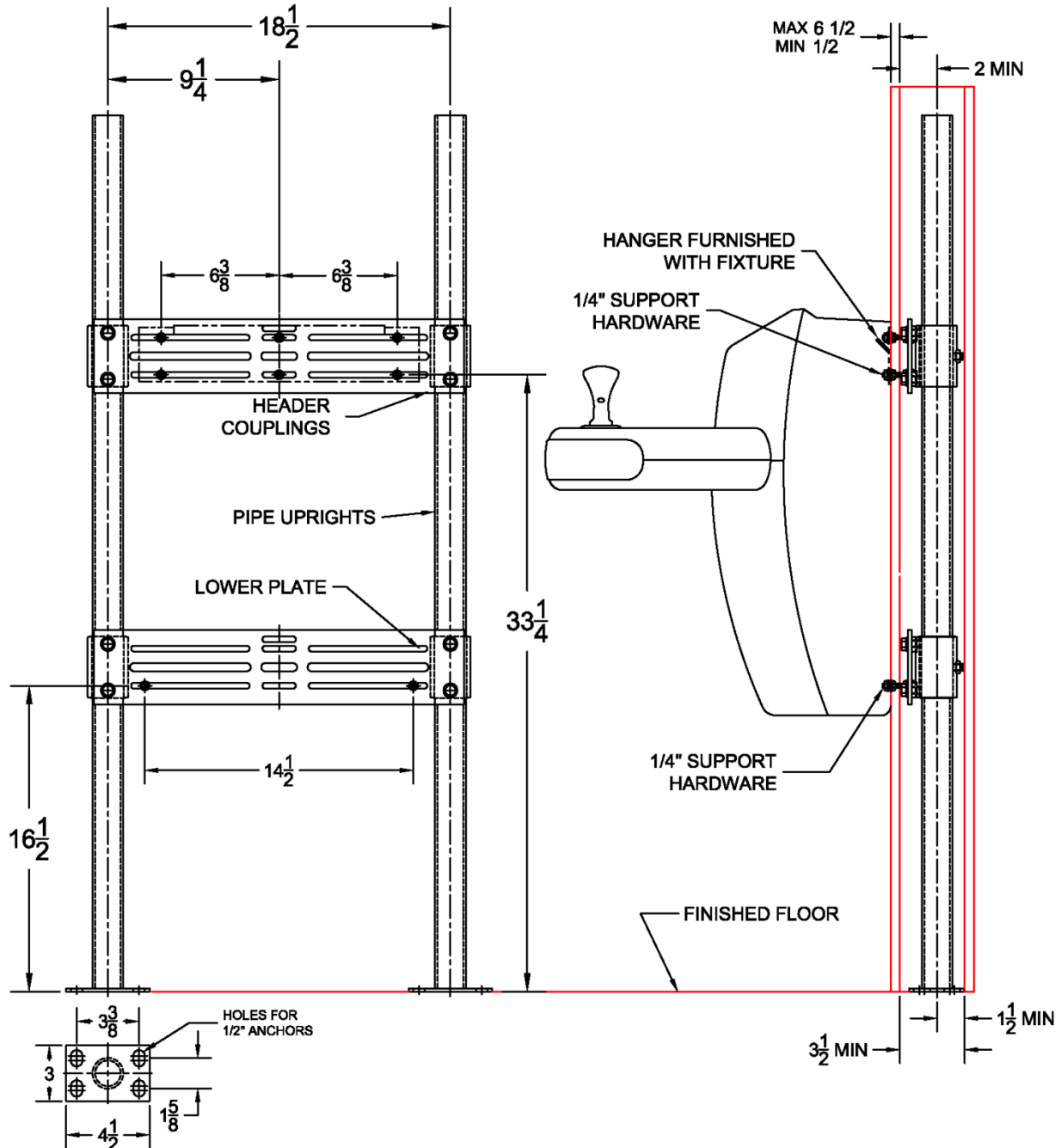


403 Water Cooler Carrier (Support Plate Style)

Regularly Furnished: Single water cooler fixture support with painted cast iron header couplings, tubular steel uprights, 7 gauge support plates, zinc plated support hardware and welded base feet.
 ASME Type I Water Cooler Carrier Load Rating = 200 Lb.

**Halsey Taylor
HTV Series**



Model	UPC	Upright	Plate Package			Support Kit			Uprights		
			Qty	Part No.	UPC	Qty	Part No.	UPC	Qty	Part No.	UPC
403	411211	Round	2	WP449-U11A	401449	2	WP400-2R	544180	2	PU-1F	227434
403-M36	411213	Square	2	WP449-U11A	401449	2	WP400-2S	544081	2	PU-22-47	406419