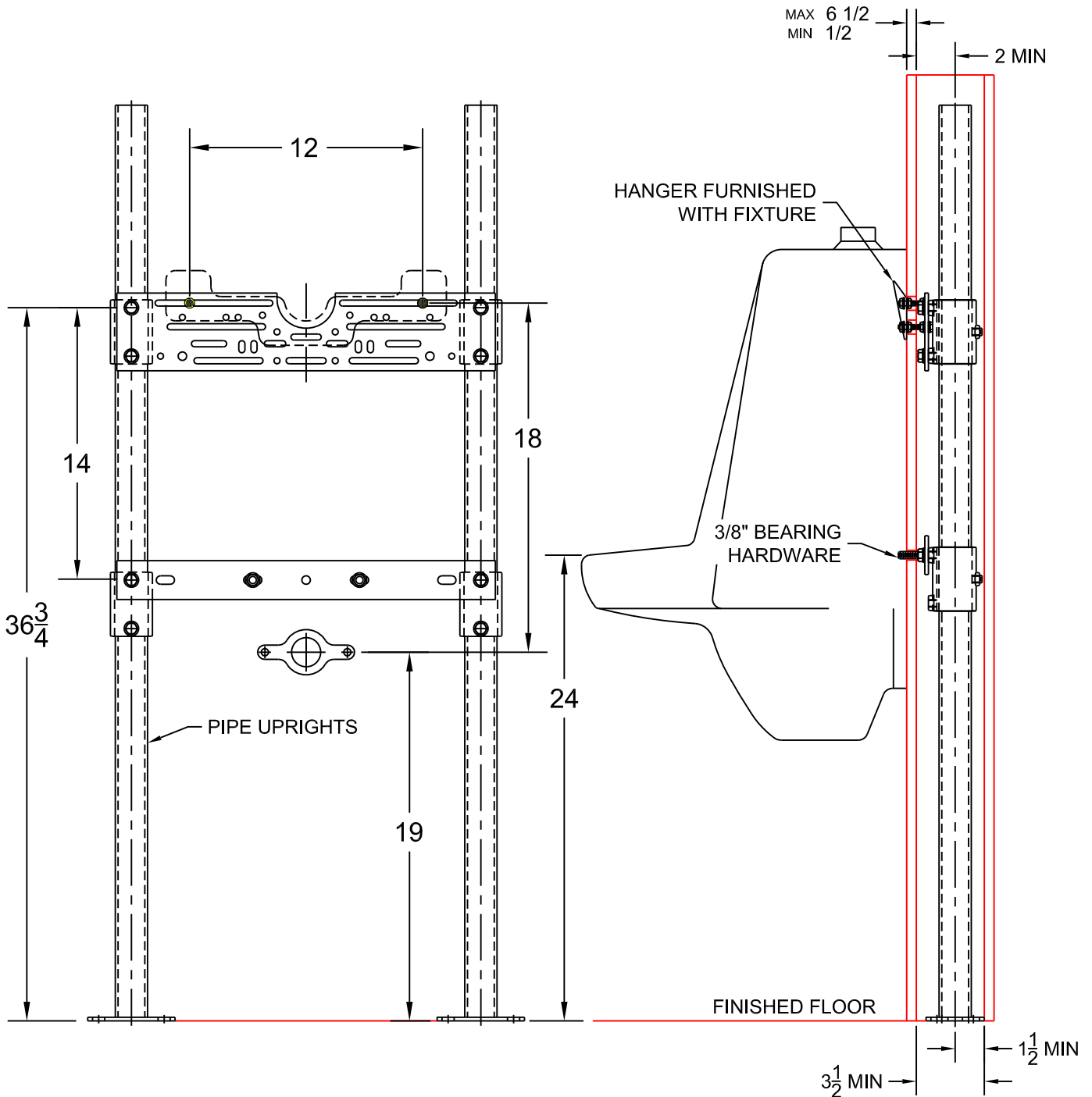


400-AM11 URINAL CARRIER

UNIVERSAL HANGER PLATE CARRIER WITH PIPE UPRIGHTS, WELDED BASE FEET, UPPER PLATE WITH HANGER SUPPORT HARDWARE & LOWER PLATE WITH BEARING SUPPORT STUDS.

SLOAN SU-1006 & SU-1010



OPTIONS

Suffix	Description
M36	RECTANGULAR STEEL UPRIGHTS

AutoCad.dwg