

# CORNER LAV CARRIER



Approval Date

Customer Approval

Job Location

Job Name

Dimensional Data (Inches/mm) are Subject to Manufacturers Tolerance and Change Without Notice. Wade Division / Tyler Pipe Assumes No Responsibility For Superseded or Voided Data

430-M36

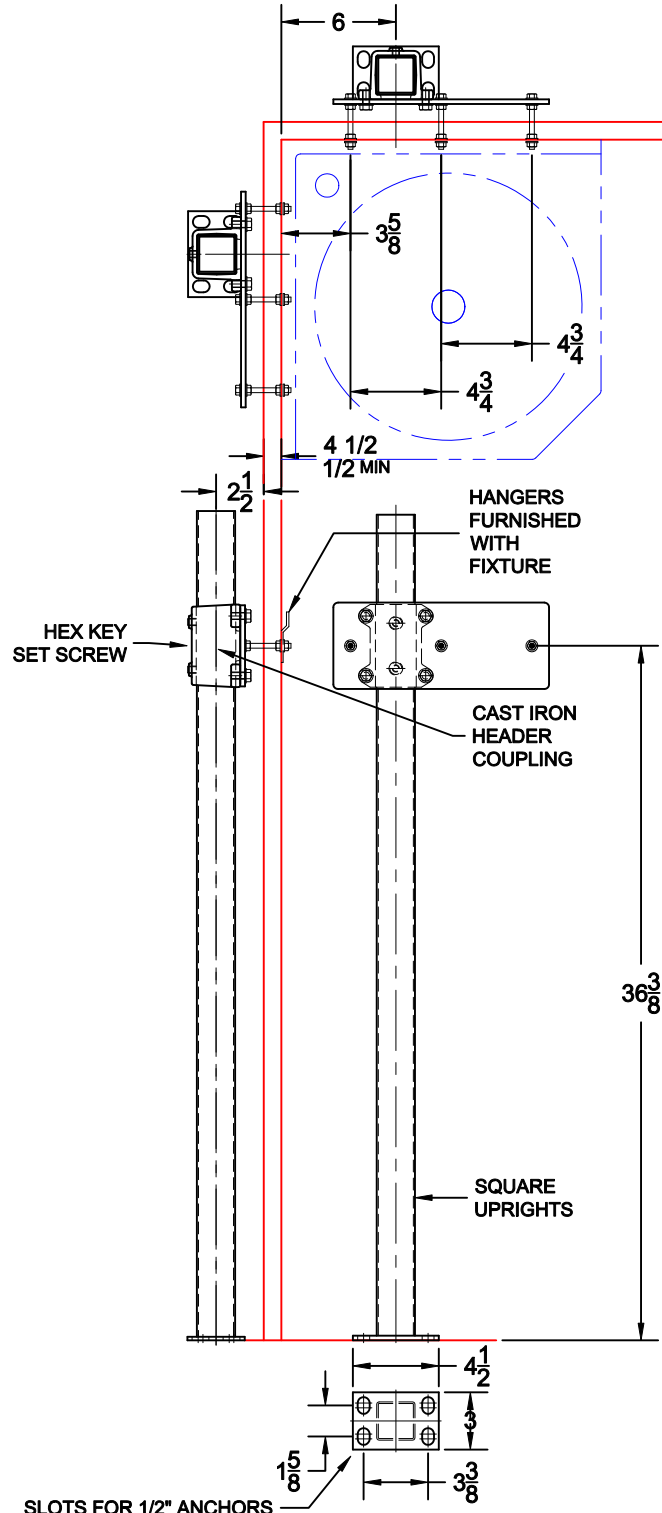
CORNER LAVATORY CARRIER WITH SQUARE UPRIGHTS, WELDED BASE FEET AND HANGER SUPPORT HARDWARE

FIXTURE

Manufacturer JUST

Name LAVATORY No. A-35929

Style CORNER



AutoCad.dwg

5-20-14

WADE • 11910 CR 492 • Tyler, TX 75706 • PH (903)882-5511 • FAX (888)879-9233  
 WADE Canada • 6200 Rue Principale • Ste-Croix Quebec GOS 2HO • PH (800)463-3480 Ext. 2227 • FAX (888)879-9233

A-442-U11