

# URINAL CARRIER



## 400-AM11 URINAL CARRIER

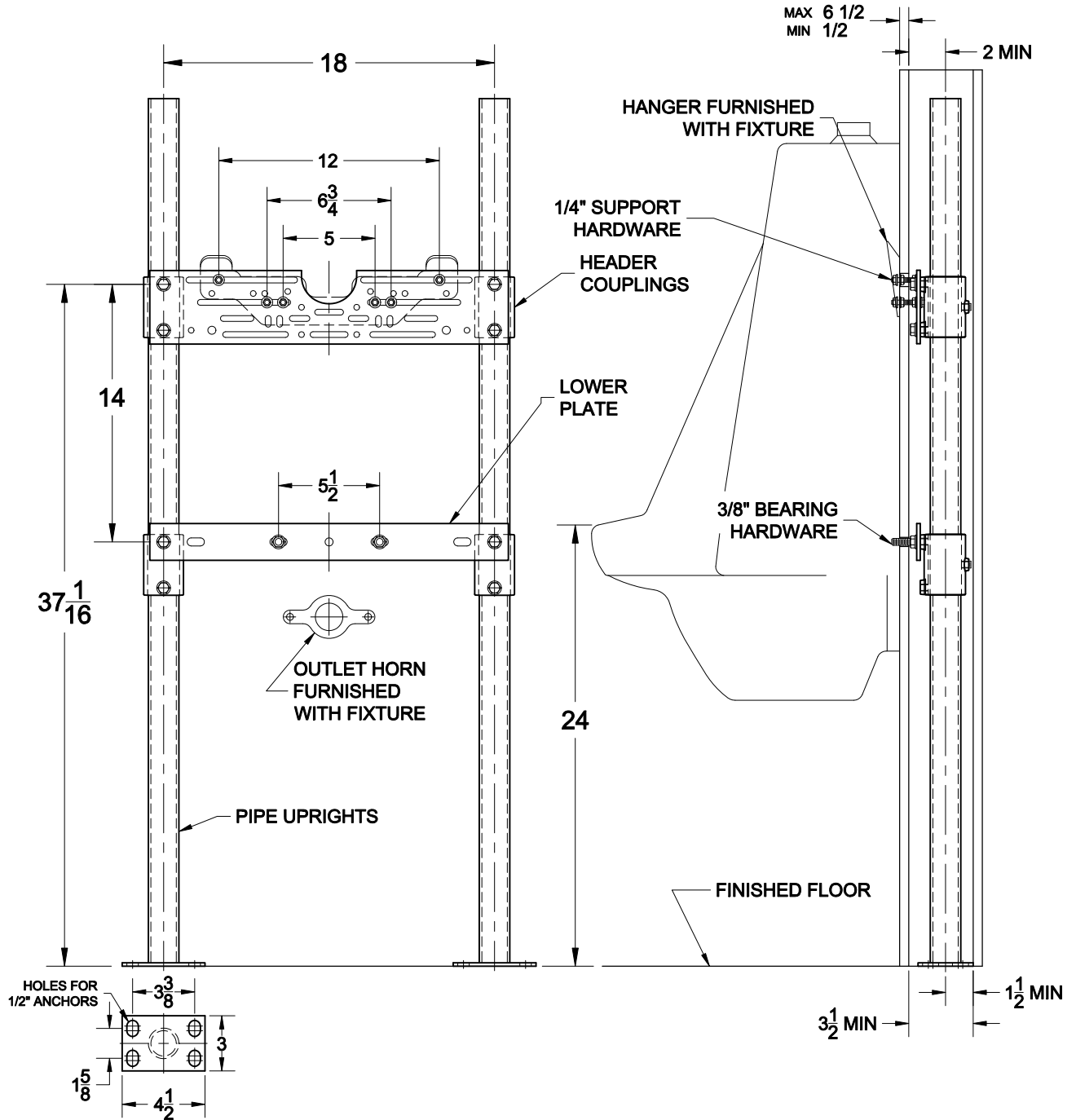
UNIVERSAL HANGER PLATE CARRIER WITH PIPE UPRIGHTS, WELDED BASE FEET, UPPER PLATE WITH HANGER SUPPORT HARDWARE & LOWER PLATE WITH BEARING SUPPORT STUDS.

**SLOAN**

WEUS 1000

WEUS 1002

WEUS 1005



### OPTIONS

Suffix	Description
M36	RECTANGULAR STEEL UPRIGHTS

AutoCad.dwg