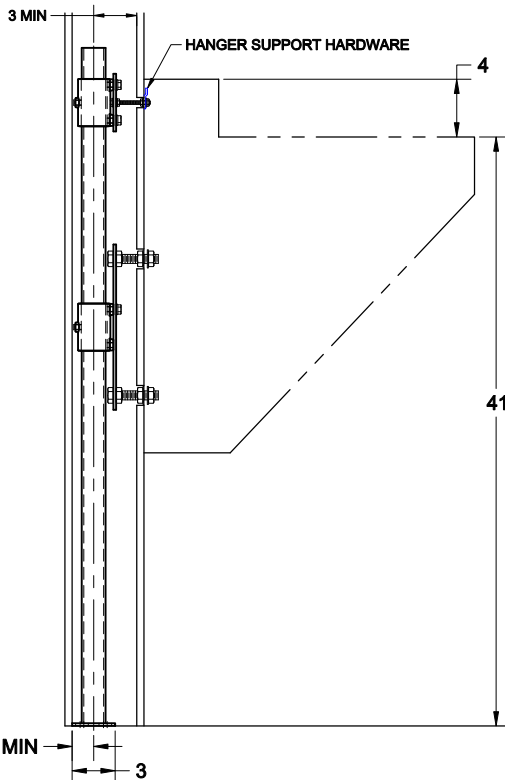
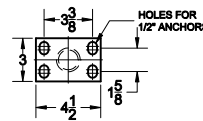
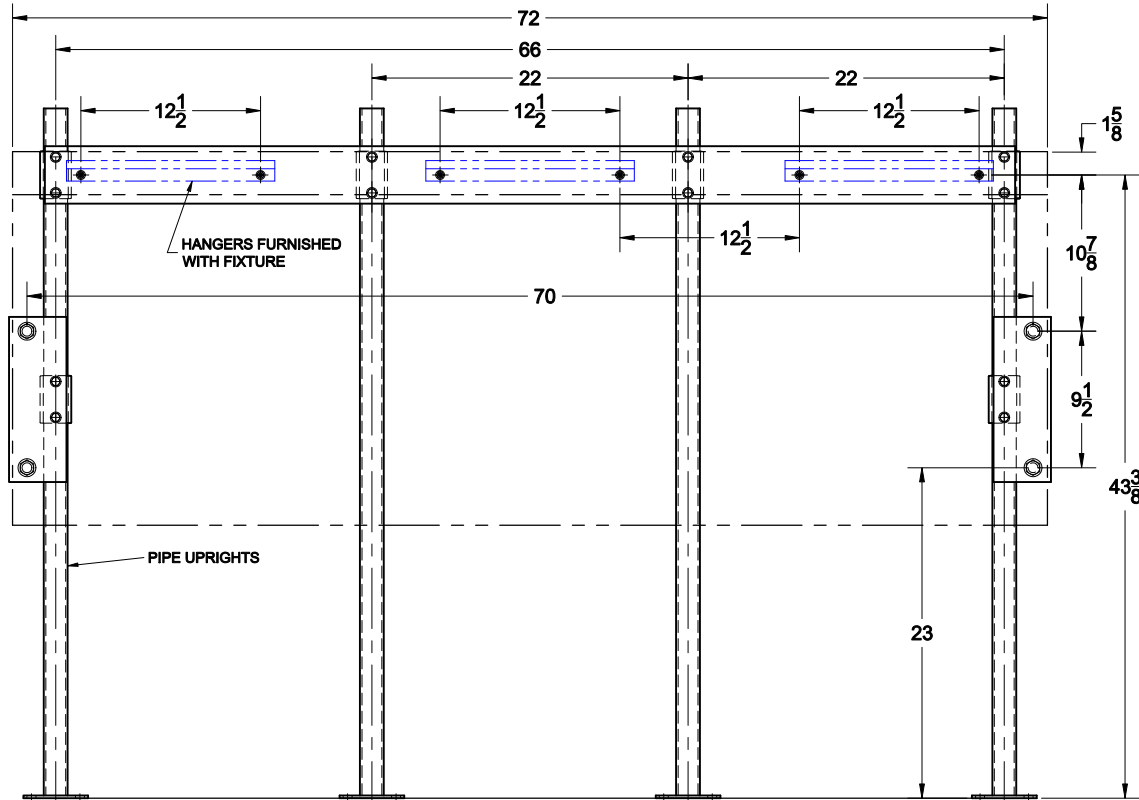


Scrub Sink Carrier



634-AM11-M29

Floor mount carrier with pipe uprights, welded base feet, fixture support and hanger support hardware.



FIXTURE

Manufacturer JUST

Name 3 STATION No. 9311-1

Style SCRUB SINK

NOTE: ALL DIMENSIONS FOR THIS CARRIER MUST BE VERIFIED WITH THE FIXTURE MANUFACTURER'S LATEST SPEC SHEET

OPTIONS

Cat. No.	Type	Wt. Lbs.
634-M29-M60	Single	106.0

Suffix	Description
M36	SQUARE STEEL UPRIGHTS

AutoCad.dwg